

2001 State Competition
FFA Agricultural Mechanics Contest
University of Missouri
50 points

Contestant # _____
Contestant Name _____
Chapter _____

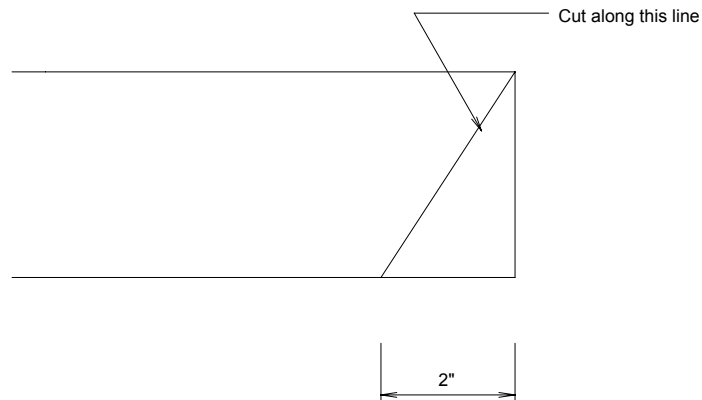
Woodworking and Carpentry

Materials Needed:

Midwest Plan No. 72058
2- 2x4 boards
Square
Tape measure
Crosscut saw

Directions:

1. Secure materials and find a workstation.
2. Examine brace diagram circled on page 2 of Midwest Plan No. 72058.
3. Measure, and mark one 2"x 4" to match plan
4. On one end of the other 2"x 4" mark the angle using the diagram below and cut the board as shown.
5. Tape entire handout onto boards and give to contest official.



Complete questions 1-5 using the Midwest Plan No. 72058

1. What are the dimensions of the header for the 10-foot wide door that will be installed in the end wall if the building is used for a rural warehouse?

_____ x _____

2. If the barn is built for beef housing how many poles are used?

_____ # of poles

3. What is the minimum height of a skirt for cattle housing?

_____ feet

4. What lumber size is needed for girders in Zone 2?

_____ x _____

5. Is it acceptable to substitute other framing methods for the plywood gussets in the plan?

Yes or No (circle one)

Woodworking and Carpentry Scoring

	<u>Possible</u>	<u>Earned</u>
Problem Solving (2pts each)	10	_____
Correct Angle 1 (5 pts)	5	_____
Correct Angle 2 (5 pts)	5	_____
Correct Length (5 pts)	5	_____
Correct Cut Angle (5 pts)	5	_____
Cut Evaluation (15 pts)	15	_____
Safety (5 pts)	5	_____
Total (50 pts)		_____